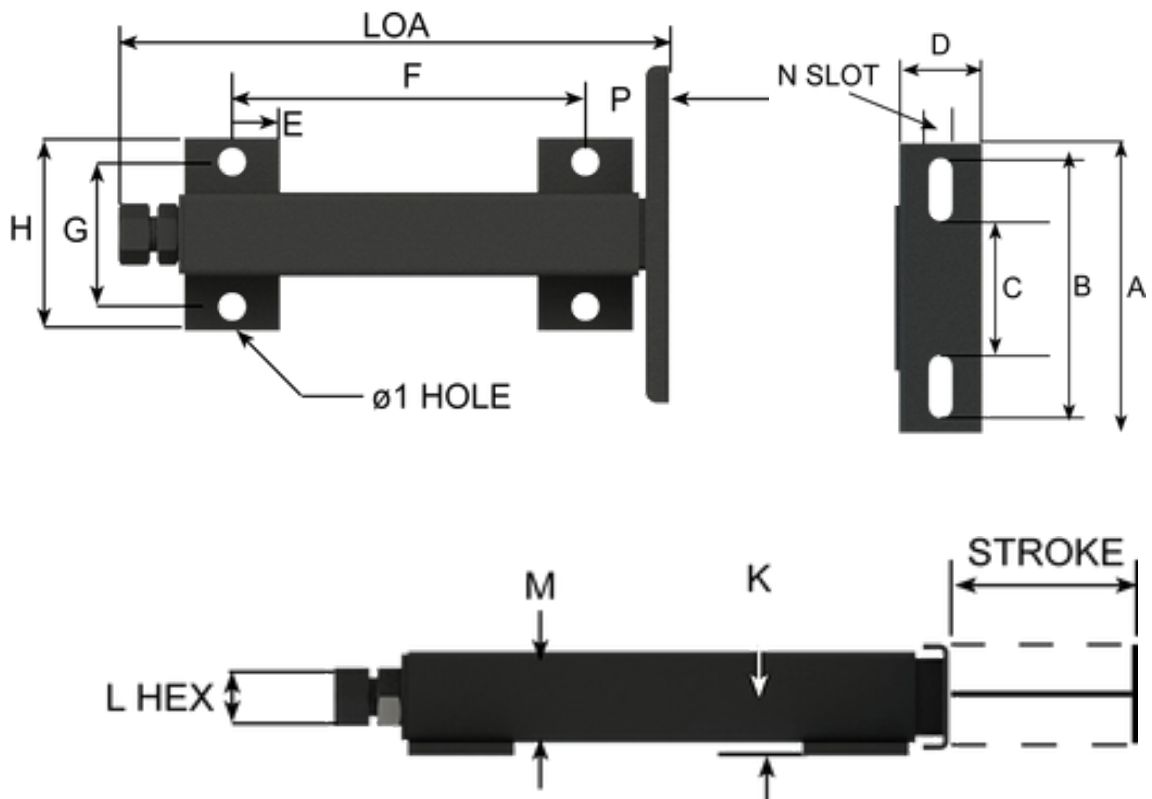


STANDARD TELESCOPER DIMENSIONS FOR REFERENCE

PLEASE ENQUIRE SHOULD YOU REQUIRE SPECIFIC DIMENSIONS, DRAWINGS



STANDARD TELESCOPER DIMENSIONS FOR REFERENCE

CONSULT WEBSITE OR FACTORY FOR SPECIFIC DIMENSIONS, PART MODELS AND DRAWINGS

Series	Stroke	LOA	A	B	C	D	N	E	F	G	H	I	K	L	M	P	Weight ea lbs	
100	3	6.88							3.56								2.50	
	6	10.38	5.25	4.31	2.94	1.50	.44	.75	7.06	2.63	3.69	.56	.88	.94	1.25	1.47	3.50	
	9	14.38							11.06								4.60	
250	3	8.50							4.38								4.90	
	6	11.50	7.00	5.69	3.81	2.04	.56	1.00	7.38	3.00	4.00	.56	1.13	1.13	1.75	1.75	5.80	
	9	14.50							10.38								7.50	
	12	17.50							13.38								9.10	
300	6	11.13							6.13								11.40	
	9	15.13	10.00	8.69	5.56	2.84	.68	1.25	10.13	4.00	5.25	.68	1.50	1.31	2.50	2.13	13.40	
	12	19.13							14.13								16.50	
	18	26.13							21.13								21.60	
325	6	12.75							7.13								13.20	
	9	15.75	10.00	8.69	5.56	2.84	.68	1.25	10.13	4.00	5.25	.68	1.50	1.31	2.50	2.69	16.90	
	12	18.75							13.13								20.00	
	18	24.75							19.13								26.00	
350	9	19.00							13.00								24.60	
	12	22.00	10.00	8.69	5.56	3.00	.68	1.25	16.00	4.50	5.75	.68	1.75	1.44	3.00	2.50	27.70	
	18	28.00							22.00								34.70	
	24	34.00							28.00								41.70	
400	12	27.75							20.00								43.00	
	18	33.75	14.00	11.75	8.50	3.50	.88	1.75	26.00	5.50	7.50	.88	2.13	2.00	3.50	3.50	54.00	
	24	39.75							32.00								65.00	
500	18	44.00	PER CUSTOMER SPECIFICATIONS							31.00								250.00
	24	50.00						2.50	37.00	9.00	11.50	1.06	3.50	3.50	6.00	6.00	275.00	
	36	62.00						49.00									325.00	