

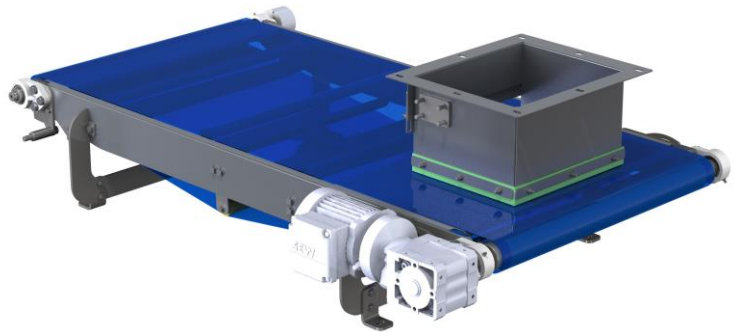
NEW From Web Tech AutoWeigh

Introducing our new “Super Lite” Weigh Feeder

Designed and Manufactured in Australia. Ideally suited for powders, pharmaceuticals, low bulk density materials and food products.

The “WT Super Lite” Weigh Belt Feeder features:

- Low Capacity, lightweight construction
- High precision
- Belt widths of 200mm to 750mm
- Easy assembly/disassembly, minimal tools required
- Over centre belt tension release
- Various motor mount positions – front, rear left or right handed.
- Over centre belt tension system
- Easy belt removal/replacement
- Accuracies in the order of $\pm 0.25\%$ to $\pm 0.5\%$



Web Tech AutoWeigh also designs ***and manufactures*** its own range of electronic integrators and controllers that can be used with all of our models of Weigh Belt Feeders, Conveyor Belt Scales & Loss in Weight Systems. Each model has different features, providing various solutions.

Standard Features include:

- Automatic calibration
- Audit trail
- Remote Set point
- PID control and rate outputs
- Totaliser pulse output
- Belt speed and belt loading outputs
- Deviation alarm and Hopper Low Level alarm
- Standard power supply 110/240 VAC

- IP66/Nema 4X RFP enclosure

Options include:

- Stainless steel enclosures and sunshades
- Serial communications (Profibus, DeviceNet & Ethernet IP/ModbusTCP)
- 24VDC supply voltage