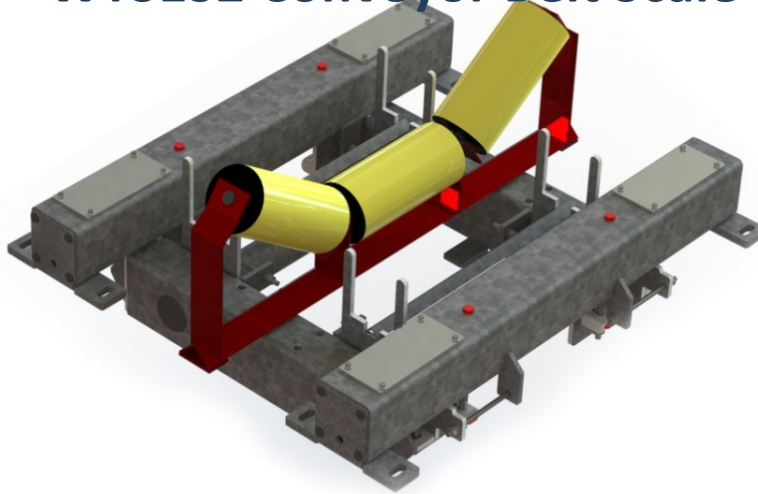


## WTS1S2 Conveyor Belt Scale



The “WTS1S2’ is one of Web Tech AutoWeigh’s “process” type conveyor belt scales, and is suitable for applications including the control of feed rates into the plant, monitoring plant performance, or maintaining consistent belt loading.

### Weighframe

- Heavy duty single idler weigh frame design with easy maintenance access to load cells.
- Particularly suitable for the mining or heavy industry.
- Fully suspended weigh frame on (4) four load cells with no pivots
- Belt widths from 450mm to 2400mm. Engineered to suit application.
- Hot dip Galvanised as standard, Optional paint or stainless steel.
- Accuracies in the order of  $\pm 1.0\%$  are achievable 20% to 120% scale range.
- Australian designed and manufactured.

### Electronics

The “WTS1S2” belt scale system is normally supplied with our “Masterweigh 6” electronics. The “Masterweigh 6” electronics is a microprocessor based integrator and comes with the following standard features:

- Microprocessor based.
- 110/240VAC or 24VDC supply (optional).
- IP66 reinforced polyester enclosure.
- Modular in design – easily serviceable.
- Simple menu driven interface.
- Integral keypad with calibration “Hotkeys”.
- 2 x 40 character backlit LCD display.
- All commands in simple English – No hieroglyphics or codes used.
- 8 digit Mass Rate display.
- 8 digit Mass Total display.
- Isolated 4-20mA Rate output.
- Remote Totaliser output.
- “Weigher Healthy” relay output.
- Programmable “Auto Zero Tracking” function with “Out of Limits” relay output.
- Service menus allow load cell and speed sensor values to be read without the need for test meters.
- Automatic Zero & Span calibrations.
- Optional “Profibus”, or “Device Net” or “Ethernet/Modbus TCP”
- Optional DIP Protection



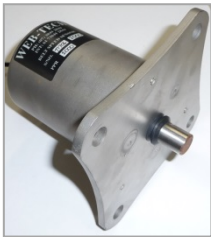
“Masterweigh 6” in standard  
IP66 RFP Enclosure



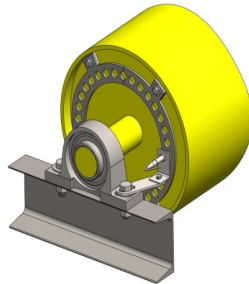
“Masterweigh 6” in optional  
Stainless Steel Enclosure

## Belt Speed Sensors

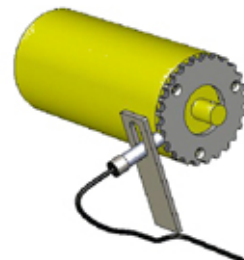
The “WTS1S2” belt scale is available with a number of different standard types of belt speed sensors to suit the application.



Stainless steel digital  
Encoder (pulley mount)



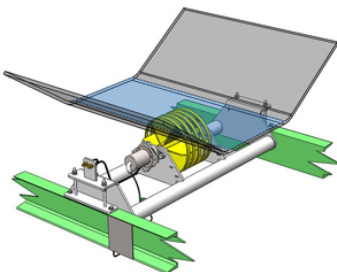
Proximity switch and  
flags on tail pulley



Magnetic Pick-up  
and sprocket on roll

## Options

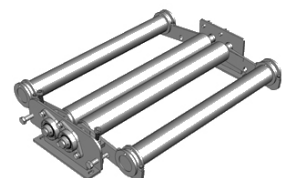
The model “WTS1S2” is available with a variety of options:



Optional Spiral Pulley  
and mounting frame



Stainless steel sunshade  
for electronics



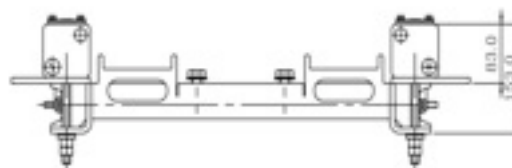
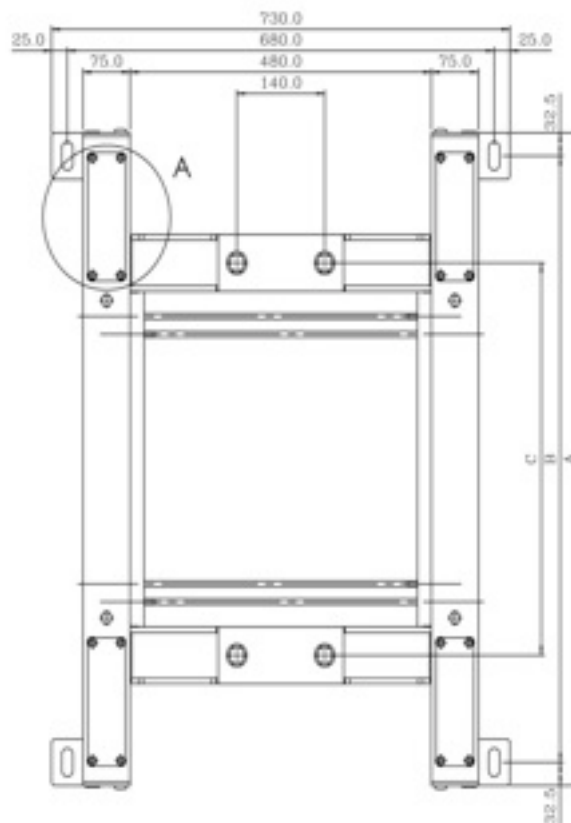
“In-Situ” Calibration  
Weights



# AutoWeigh

Designers and Manufacturers of  
Continuous Weighing and Feeding Equipment

BELT WIDTH	"A"	"B"	"C"
450mm	765.0	700.0	400.0
500mm	815.0	750.0	450.0
600mm	915.0	850.0	550.0
650mm	965.0	900.0	600.0
750mm	1065.0	1000.0	700.0
900mm	1215.0	1150.0	850.0
1050mm	1365.0	1300.0	1000.0
1200mm	1515.0	1450.0	1150.0



1800 777 906

[www.web-tech.com.au](http://www.web-tech.com.au)

[info@web-tech.com.au](mailto:info@web-tech.com.au)

WEB TECH AUSTRALIA PTY LTD. QLD 4113. AUSTRALIA.  
AW321 Rev A 01/14

ABN 50 010 764 431